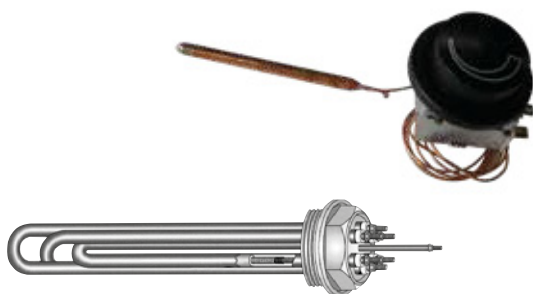


## ACCUMULATORI ACS GRANDE CAPACITÀ HI-STORAGE BUFFER VESSELS FOR DHW

# ACS

Capacità/Storage: 1500 ÷ 10000 lt

Protezione catodica ad anodo di magnesio  
Magnesium anode protection



Resistenze elettriche si possono  
applicare su tutti i modelli

Heating elements  
can be fitted on all models

### ACCUMULATORI ACS A GRANDE CAPACITÀ

Accumulatori di **grande capacità** utilizzati per lo stoccaggio di acqua calda sanitaria, anche in connessione con uno **scambiatore a piastre**

**Serbatoio:** smaltato in blue-tech

Pressione d'esercizio: max 6 bar,  
Temperatura d'esercizio: max 85°C

**Trattamento protettivo interno:** smaltatura Blue-tech con resine termoindurenti idonee per l'uso con acqua potabile

**Coibentazione:** poliuretano flessibile 100mm + polietilene cellule chiuse 20mm (1500 e 2000 lt.),  
poliuretano flessibile 100mm (da 2500 a 10000 lt.).

**Rivestimento:** esterno in PVC

**Accessori di serie:** flangia d'ispezione per favorire la pulizia interna e i lavori di manutenzione.

**Su richiesta:** Resistenze elettriche di varia potenza, e relativo termostato.

### HIGH STORAGE CYLINDERS FOR DHW

Blue tech enamelled **high storage** cylinders. Ideally designed for the storage of domestic hot water, even with a **PHE** package.

**Cylinder:** blue-tech enamelled

Max. working pressure: 6 bar,  
Max. storage temperature: 85°C.

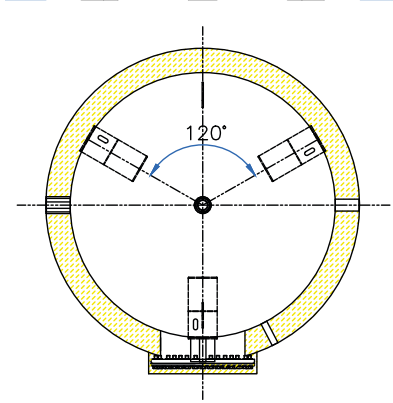
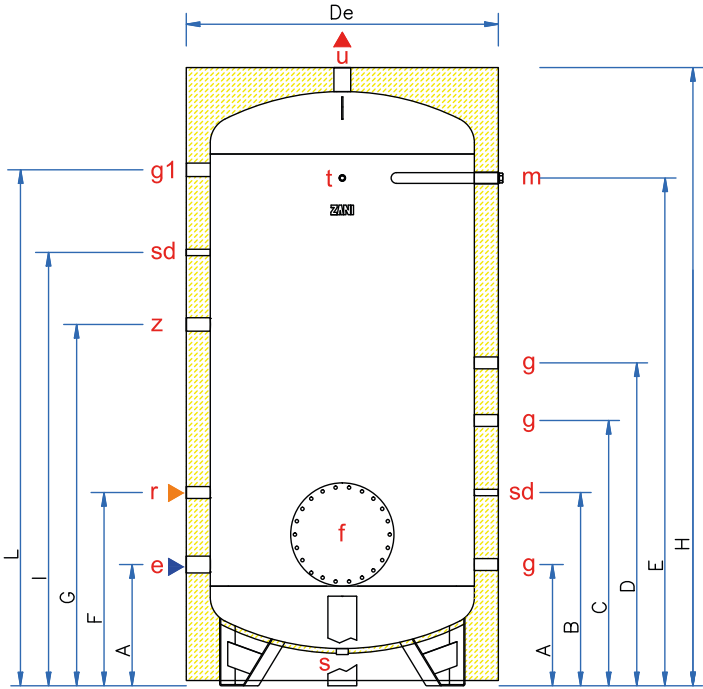
**Internal lining:** blue-tech enamel coating with thermosetting resins suitable for potable water.

**Insulation:** flexible polyurethane 100mm + closed-cell polyethylene 20mm (1500 and 2000 lt.),  
flexible polyurethane 100mm (from 2500 to 10000 lt.)

**Outer jacket:** external jacket in PVC

**Standard accessories:** Inspection flange for cleaning and maintenance.

**On request:** Electric group, with immersion and thermostat.  
Suitable for **unvented/vented** systems.



**ACS-15 ÷ ACS-100**

- |    |                                  |    |                              |
|----|----------------------------------|----|------------------------------|
| e  | ENTRATA ACQUA FREDDA             | e  | COLD WATER FEED              |
| u  | USCITA ACQUA CALDA               | u  | HOT WATER OUTLET             |
| g  | CONNESSIONE LIBERA               | g  | FREE CONNECTION              |
| m  | ANODO DI MAGNESIO                | m  | MAGNESIUM ANODE              |
| f  | FLANGIA DI ISPEZIONE             | f  | INSPECTION FLANGE            |
| r  | RICIRCOLO 1" 1/4                 | r  | SECONDARY RETURN 1" 1/4      |
| sd | POZZETTO SONDA/TERMOSTATO 1" 1/2 | sd | PROBE CONNECTION 1" 1/2      |
| t  | CONNESSIONE TERMOMETRO 1/2"      | t  | THERMOMETER CONNECTION 1/2"  |
| s  | SCARICO                          | s  | DRAIN                        |
| z  | CONNESSIONE RES. ELETTRICA 1"1/2 | z  | HEATING EL. CONNECTION 1"1/2 |
| g1 | CONNESSIONE LIBERA               | g1 | FREE CONNECTION              |

**DATI TECNICI / TECHNICAL FEATURES**

Modello	Litri	Ø attacchi					
		g-r	g1	e-u	z	sd	f
ACS-15	1500	1"1/4	-	2"	1"1/2	1/2"	300/380
ACS-20	2000	1"1/4	-	2"	1"1/2	1/2"	350/430
ACS-25	2500	1"1/4	-	2"1/2	1"1/2	1/2"	350/430
ACS-30	3000	1"1/4	-	3"	1"1/2	1/2"	350/430
ACS-40	4000	1"1/4	-	3"	1"1/2	1/2"	350/430
ACS-50	5000	1"1/4	-	3"	1"1/2	1/2"	350/430
ACS-60	6000	1"1/4	1"1/4	3"	1"1/2	1/2"	400/480
ACS-80	8000	1"1/4	1"1/4	3"	1"1/2	1/2"	400/480
ACS-100	10000	1"1/4	1"1/4	3"	1"1/2	1/2"	400/480

Model	Litres	Ø connections					
		g-r	g1	e-u	z	sd	f
ACS-15	1500	1"1/4	-	2"	1"1/2	1/2"	300/380
ACS-20	2000	1"1/4	-	2"	1"1/2	1/2"	350/430
ACS-25	2500	1"1/4	-	2"1/2	1"1/2	1/2"	350/430
ACS-30	3000	1"1/4	-	3"	1"1/2	1/2"	350/430
ACS-40	4000	1"1/4	-	3"	1"1/2	1/2"	350/430
ACS-50	5000	1"1/4	-	3"	1"1/2	1/2"	350/430
ACS-60	6000	1"1/4	1"1/4	3"	1"1/2	1/2"	400/480
ACS-80	8000	1"1/4	1"1/4	3"	1"1/2	1/2"	400/480
ACS-100	10000	1"1/4	1"1/4	3"	1"1/2	1/2"	400/480

**DIMENSIONI / DIMENSIONS**

Modello	Litri	A	B	C	D	E	F	G	I	L	H	De
ACS-15	1500	500	805	1100	1340	1810	800	1230	1515	-	2275	1240
ACS-20	2000	500	805	1100	1345	2115	800	1505	1805	-	2595	1340
ACS-25	2500	565	865	1165	1400	2150	850	1550	1850	-	2655	1400
ACS-30	3000	575	800	1050	1415	2350	850	1750	2050	-	2870	1450
ACS-40	4000	600	900	1200	1440	2380	870	1780	2080	-	2940	1600
ACS-50	5000	610	910	1210	1450	2385	885	1780	2085	-	2980	1800
ACS-60	6000	630	930	1470	1930	2230	880	1230	1470	2080	2820	2000
ACS-80	8000	630	930	1470	2130	2830	830	1180	1610	2680	3520	2000
ACS-100	10000	630	930	1470	2880	3580	830	1180	1610	3430	4270	2000

Model	Litres	A	B	C	D	E	F	G	I	L	H	De
ACS-15	1500	500	805	1100	1340	1810	800	1230	1515	-	2275	1240
ACS-20	2000	500	805	1100	1345	2115	800	1505	1805	-	2595	1340
ACS-25	2500	565	865	1165	1400	2150	850	1550	1850	-	2655	1400
ACS-30	3000	575	800	1050	1415	2350	850	1750	2050	-	2870	1450
ACS-40	4000	600	900	1200	1440	2380	870	1780	2080	-	2940	1600
ACS-50	5000	610	910	1210	1450	2385	885	1780	2085	-	2980	1800
ACS-60	6000	630	930	1470	1930	2230	880	1230	1470	2080	2820	2000
ACS-80	8000	630	930	1470	2130	2830	830	1180	1610	2680	3520	2000
ACS-100	10000	630	930	1470	2880	3580	830	1180	1610	3430	4270	2000

**IMBALLO mm / PACKING mm**

Modello	Altezza	Larghezza	Profondità	Peso kg
ACS-15	2370	1230	1230	250
ACS-20	2700	1320	1320	300
ACS-25	2770	1470	1470	340
ACS-30	2990	1470	1470	380
ACS-40	3060	1630	1630	525
ACS-50	3100	1830	1830	625
ACS-60	2940	2030	2030	770
ACS-80	3640	2030	2030	900
ACS-100	4390	2030	2030	1060

Model	Height	Width	Depth	Weight kg
ACS-15	2370	1230	1230	250
ACS-20	2700	1320	1320	300
ACS-25	2770	1470	1470	340
ACS-30	2990	1470	1470	380
ACS-40	3060	1630	1630	525
ACS-50	3100	1830	1830	625
ACS-60	2940	2030	2030	770
ACS-80	3640	2030	2030	900
ACS-100	4390	2030	2030	1060