

INOX 316L
STAINLESS STEEL 316L

ACCUMULATORI TERMICI IN ACCIAIO INOX STAINLESS STEEL BUFFER TANKS

ACX

Capacità/Storage: 200 ÷ 5000 lt



SU RICHIESTA: VERSIONI
ORIZZONTALI ED ESECUZIONI SPECIALI
ON REQUEST: HORIZONTAL
BESPOKE UNITS



ACCUMULATORI TERMICI IN ACCIAIO INOX

Accumulatori in acciaio inox **AISI 316 L** di alta qualità, utilizzati per l'accumulo di acqua calda per uso potabile ed igienico sanitario.

Serbatoio: in acciaio inox AISI 316 L, sottoposto a trattamento di decappaggio e passivazione

Pressione d'esercizio max: 6 bar

Temperatura d'esercizio max: 95°C

Processo di saldatura: all'avanguardia, con metodi PAW (Plasma Arc Welding) e TIG (Tungsten Inert Gas)

Coibentazione: poliuretano flessibile 100 mm con rivestimento esterno in PVC.

Accessori di serie: flangia di ispezione

Su richiesta: Integrazione elettrica fino a 50 kW

STAINLESS STEEL BUFFER TANKS

High **quality stainless** steel cylinders. Ideally designed for the storage of **DHW** and ideal for hot water systems that require particular high demands over a short period of time.

Cylinder: stainless steel AISI 316 L, internally and externally 100% pickled and passivated

Max. working pressure: 6 bar

Max. storage temperature: 95°C

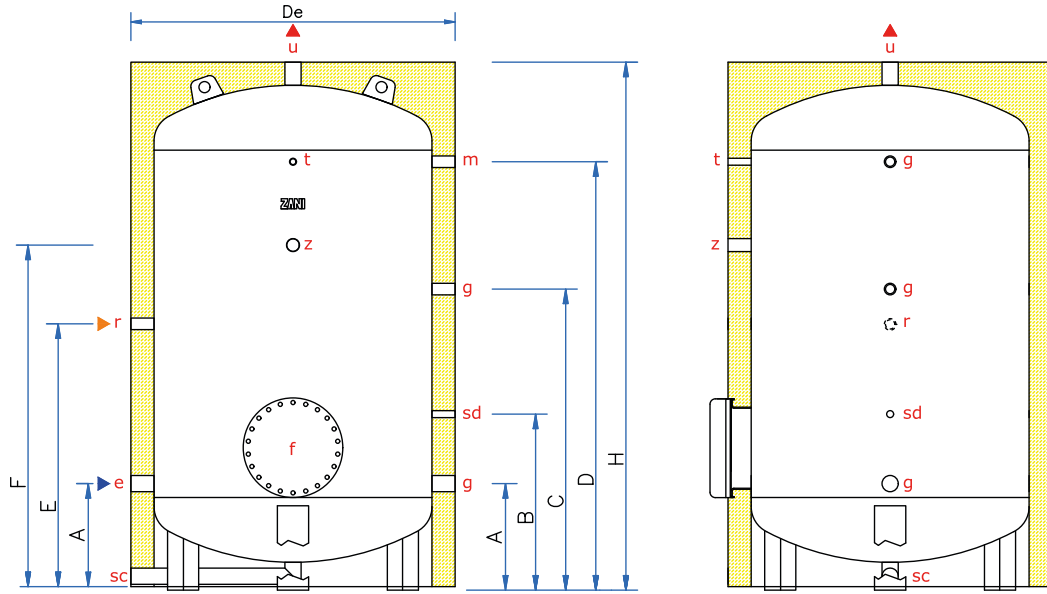
Welding process: PAW (**Plasma Arc Welding**) and TIG (**Tungsten Inert Gas**) welding process

Insulation: flexible polyurethane 100 mm with a removable outer PVC jacket.

Standard accessories: Inspection flange

On request: Stainless steel immersion heaters up to 50 kW

Suitable for **unvented/vented** systems.



ACX-2 ÷ ACX-50

e ENTRATA ACQUA FREDDA
f FLANGIA DI ISPEZIONE
g CONNESSIONE LIBERA
m CONNESSIONE ANODO 1" 1/4
r SCARICO
sd RICIRCOLO
t POZZETTO SONDA/TERMOSTATO 1/2"
u USCITA ACQUA CALDA
z CONN. RESISTENZA EL. 1" 1/2

e COLD WATER FEED
f INSPECTION FLANGE
g FREE CONNECTION
m ANODE CONNECTION 1" 1/4
r DRAIN
sd SECONDARY RETURN
t PROBE CONNECTION 1/2"
u HOT WATER OUTLET
z HEATING EL. CONN. 1" 1/2

DATI TECNICI / TECHNICAL FEATURES

Modello	Litri	Ø attacchi					f	Temperatura massima °C	Pressione massima serbatoio bar
		g-m	r	e-u	z	sd-t			
ACX-2	200	1"1/4	1"	1"	1"1/2	1/2"	220/300	95	6
ACX-3	300	1"1/4	1"	1"	1"1/2	1/2"	220/300	95	6
ACX-5	500	1"1/4	1"	1"	1"1/2	1/2"	220/300	95	6
ACX-8	800	1"1/4	1"1/4	1"1/4	1"1/2	1/2"	300/380	95	6
ACX-10	1000	1"1/4	1"1/4	1"1/4	1"1/2	1/2"	300/380	95	6
ACX-15	1500	1"1/4	1"1/4	1"1/2	1"1/2	1/2"	300/380	95	6
ACX-20	2000	1"1/4	1"1/4	2"	1"1/2	1/2"	350/430	95	6
ACX-25	2500	1"1/4	1"1/4	2"	1"1/2	1/2"	350/430	95	6
ACX-30	3000	1"1/4	1"1/4	2"	1"1/2	1/2"	350/430	95	6
ACX-40	4000	1"1/4	1"1/4	2"1/2	1"1/2	1/2"	350/430	95	6
ACX-50	5000	1"1/4	1"1/4	2"1/2	1"1/2	1/2"	350/430	95	6

Model	Litres	g-m	r	e-u	z	sd-t	f	Max working temperature °C	Tank max working pressure bar
		Ø connections							

DIMENSIONI / DIMENSIONS

Modello	Litri	A	B	C	D	E	F	H	De
ACX - 2	200	275	575	915	1115	725	915	1470	650
ACX - 3	300	295	595	965	1135	745	965	1510	750
ACX - 5	500	270	570	1110	1670	970	1410	1950	800
ACX - 8	800	395	695	1235	1545	970	1385	1920	990
ACX - 10	1000	405	705	1245	1805	1105	1445	2190	1000
ACX - 15	1500	425	725	1265	1815	1115	1455	2200	1200
ACX - 20	2000	460	760	1300	1850	1150	1490	2280	1400
ACX - 25	2500	460	760	1300	2100	1275	1600	2530	1400
ACX - 30	3000	475	775	1315	2365	1415	1645	2800	1450
ACX - 40	4000	530	830	1370	2400	1450	1680	2880	1600
ACX - 50	5000	530	830	1370	2400	1450	1680	2910	1800

Model	Litres	A	B	C	D	E	F	H	De
-------	--------	---	---	---	---	---	---	---	----

IMBALLO mm / PACKING mm

Modello	Altezza	Larghezza	Profondità	Peso kg
ACX-2	1590	680	680	65
ACX-3	1630	780	780	75
ACX-5	2070	830	830	90
ACX-8	2040	1020	1020	130
ACX-10	2310	1030	1030	145
ACX-15	2320	1230	1230	220
ACX-20	2400	1430	1430	275
ACX-25	2650	1430	1430	330
ACX-30	2920	1480	1480	360
ACX-40	3000	1630	1630	510
ACX-50	3030	1830	1830	600

Model	Height	Width	Depth	Weight kg
-------	--------	-------	-------	-----------