

INOX 316L  
STAINLESS STEEL 316L



## BOLLITORI A SERPENTINO ESTRAIBILE CALORIFIERS WITH EXTRACTABLE COIL

# BVX

**Capacità/Storage:** 200 ÷ 5000 lt

**Potenza/Duty:** 16 ÷ 320



SU RICHIESTA: VERSIONI  
ORIZZONTALI ED ESECUZIONI SPECIALI  
ON REQUEST: HORIZONTAL  
VERSIONS AND BESPOKE UNITS



Lo scambio termico viene  
realizzato grazie ad un serpentino  
inox estraibile.

The coil fitted is a stainless  
steel heat exchanger



### BOLLITORI INOX A SERPENTINO ESTRAIBILE

Bollitori a **serpentino estraibile**, realizzati interamente in acciaio inox **AISI 316 L**, utilizzati per la produzione rapida ed accumulo di acqua calda ad uso potabile ed igienico sanitario.

**Serbatoio:** in acciaio inox AISI 316 L, sottoposto a trattamento di decappaggio e passivazione

Pressione d'esercizio max: 6 bar

Temperatura d'esercizio max: 95°C

**Processo di saldatura:** all'avanguardia, con metodi **PAW** (Plasma Arc Welding) e **TIG** (Tungsten Inert Gas)

**Scambiatore** a fascio tubiero estraibile in acciaio inox **AISI 316 L**

Pressione d'esercizio max: 12 bar.

Temperatura d'esercizio max: 110°C

**Coibentazione:** poliuretano flessibile 100 mm con rivestimento esterno in PVC.

### STAINLESS STEEL CALORIFIERS WITH EXTRACTABLE COIL

High quality **stainless steel** indirect cylinders manufactured with a **removable stainless steel heat exchanger**, which can be easily cleaned and re-inserted or replaced if required or if located in an area of hard water.

**Cylinder:** stainless steel AISI 316 L, internally and externally 100% pickled and passivated

Max. working pressure: 6 bar

Max. storage temperature: 95°C

**Welding process:** PAW (**Plasma Arc Welding**) and TIG (**Tungsten Inert Gas**) welding process

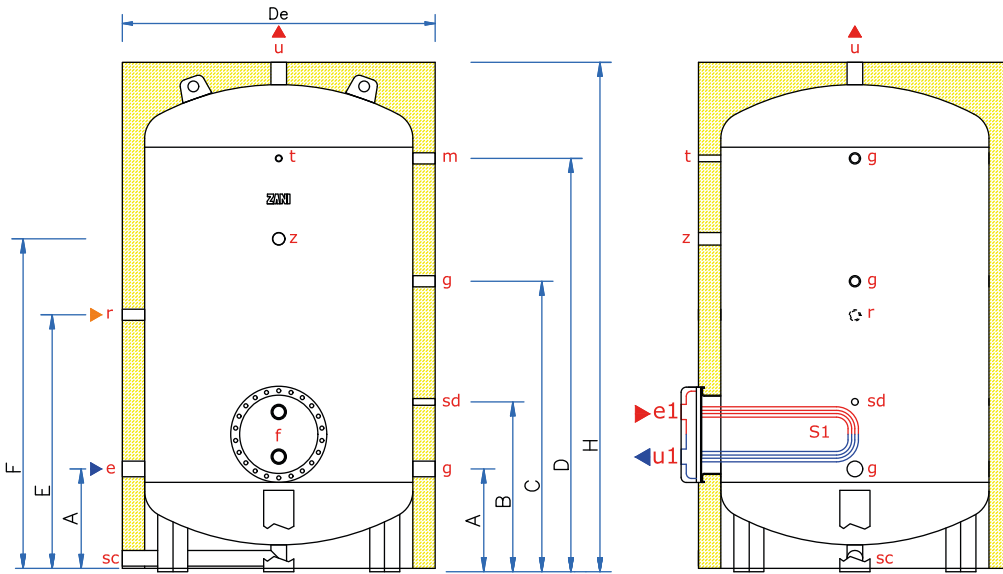
**Heating coil:** removable U-tube bundle in **AISI 316 L** stainless steel.

Max. working pressure: 12 bar

Max. working temperature: 110°C

**Insulation:** flexible polyurethane 100 mm with a removable outer PVC jacket.

Suitable for **unvented/vented** systems.



**BVX-2 ÷ BVX-50**

- e ENTRATA ACQUA FREDDA
- u USCITA ACQUA CALDA
- m ANODO DI MAGNESIO 1"1/4
- z CONNESSIONE RESISTENZA EL. 1"1/4
- r RICIRCOLO
- f FLANGIA
- g CONNESSIONE LIBERA
- e-1 ENTRATA PRIMARIO
- u-1 USCITA PRIMARIO
- s-1 SERPENTINO ESTRAIBILE
- sd POZZETTO SONDA/TERMOSTATO 1/2"
- sc SCARICO

- e COLD WATER FEED
- u HOT WATER OUTLET
- m MAGNESIUM ANODE 1"1/4
- z HEATING EL. CONNECTION 1"1/2
- r SECONDARY RETURN
- f FLANGE
- g FREE CONNECTION
- e-1 PRIMARY INLET
- u-1 PRIMARY OUTLET
- s-1 EXTRACTABLE COIL
- sd PROBE THERMOSTAT 1/2"
- sc DRAIN

**DATI TECNICI / TECHNICAL FEATURES**

Modello	Litri	Ø attacchi						Temperatura Massima °C	Pressione max serbatoio bar	Potenza assorbita kW
		g-m	r	e-u	z	sd-t	f			
BVX-2	200	1"1/4	1"	1"	1"1/2	1/2"	220/300	95	6	12,5
BVX-3	300	1"1/4	1"	1"	1"1/2	1/2"	220/300	95	6	18,5
BVX-5	500	1"1/4	1"	1"	1"1/2	1/2"	220/300	95	6	25
BVX-8	800	1"1/4	1"1/4	1"1/4	1"1/2	1/2"	300/380	95	6	37
BVX-10	1000	1"1/4	1"1/4	1"1/4	1"1/2	1/2"	300/380	95	6	49
BVX-15	1500	1"1/4	1"1/4	1"1/2	1"1/2	1/2"	300/380	95	6	73
BVX-20	2000	1"1/4	1"1/4	2"	1"1/2	1/2"	350/430	95	6	98
BVX-25	2500	1"1/4	1"1/4	2"	1"1/2	1/2"	350/430	95	6	123
BVX-30	3000	1"1/4	1"1/4	2"	1"1/2	1/2"	350/430	95	6	147
BVX-40	4000	1"1/4	1"1/4	2"1/2	1"1/2	1/2"	350/430	95	6	196
BVX-50	5000	1"1/4	1"1/4	2"1/2	1"1/2	1/2"	350/430	95	6	245

Model	Litres	Ø connections						Max working temperature °C	Tank max working pressure bar	Duty kW
		g-m	r	e-u	z	sd-t	f			

\* Temperatura primario 80/70°C - Temperatura secondario 10/45°C / Primary temperature 80/70°C - Secondary temperature 10/45°C

**DIMENSIONI / DIMENSIONS**

Modello	Litri	A	B	C	D	E	F	H	DE
BVX-2	200	275	575	915	1115	725	915	1470	650
BVX-3	300	295	595	965	1135	745	965	1510	750
BVX-5	500	270	570	1110	1670	970	1410	1950	800
BVX-8	800	395	695	1235	1545	970	1385	1920	990
BVX-10	1000	405	705	1245	1805	1105	1445	2190	1000
BVX-15	1500	425	725	1265	1815	1115	1455	2200	1200
BVX-20	2000	460	760	1300	1850	1150	1490	2280	1400
BVX-25	2500	460	760	1300	2100	1275	1600	2530	1400
BVX-30	3000	475	775	1315	2365	1415	1645	2800	1450
BVX-40	4000	530	830	1370	2400	1450	1680	2880	1600
BVX-50	5000	530	830	1370	2400	1450	1680	2910	1800

Model	Litres	A	B	C	D	E	F	H	DE
-------	--------	---	---	---	---	---	---	---	----

**IMBALLO mm / PACKING mm**

Modello	Altezza	Larghezza	Profondità	Peso kg
BVX-2	1590	680	680	75
BVX-3	1630	780	780	87
BVX-5	2070	830	830	109
BVX-8	2040	1020	1020	162
BVX-10	2310	1030	1030	182
BVX-15	2320	1230	1230	253
BVX-20	2400	1430	1430	325
BVX-25	2650	1430	1430	382
BVX-30	2920	1480	1480	407
BVX-40	3000	1630	1630	594
BVX-50	3030	1830	1830	687

Model	Height	Width	Depth	Weight kg
-------	--------	-------	-------	-----------